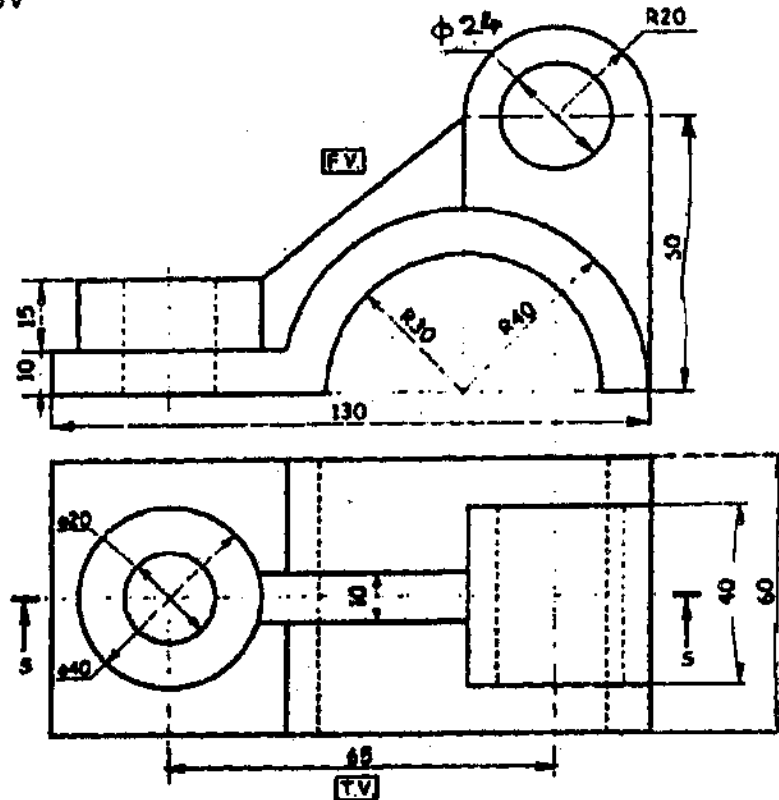




4. Refer figure and draw :—

- (a) Sectional FV along s-s
- (b) LHSV
- (c) TV



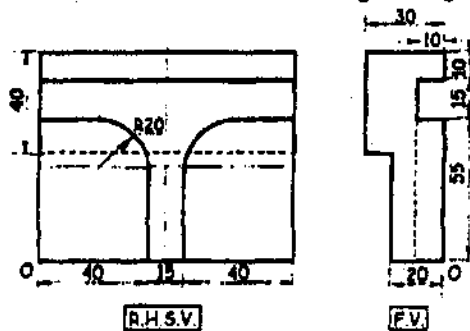
5. A cone, base 50 mm diameter and axis 60 mm long rests on its circular rim on the HP with the axis making an angle of 30 degree with HP and its top view making an angle of 45 with VP. Draw the projections if apex is away from observer. 15

6. (a) A right circular cone of diameter 60 mm and length of axis 60 mm is resting on HP on its base. It is cut by a cutting plane perpendicular to VP and inclined to HP such that the true shape is parabola of height 60 mm. Draw FV, Sectional TV and the true shape of section. 11

(b) Draw neat, proportionate free hand sketches of following :— 4

- (i) Square Headed bolt
- (ii) Hexagonal nut.

7. (a) Draw an Isometric view of the following using natural scale. (Refer figure). 11



(b) Draw neat, proportionate free hand sketches of following :— 4

- (i) Conventional representation of external thread
- (ii) Wing nut.